

PARTS LIST

[XA-GC20BK]

* All printed circuit boards and its assemblies are not available as service parts.

Area suffix

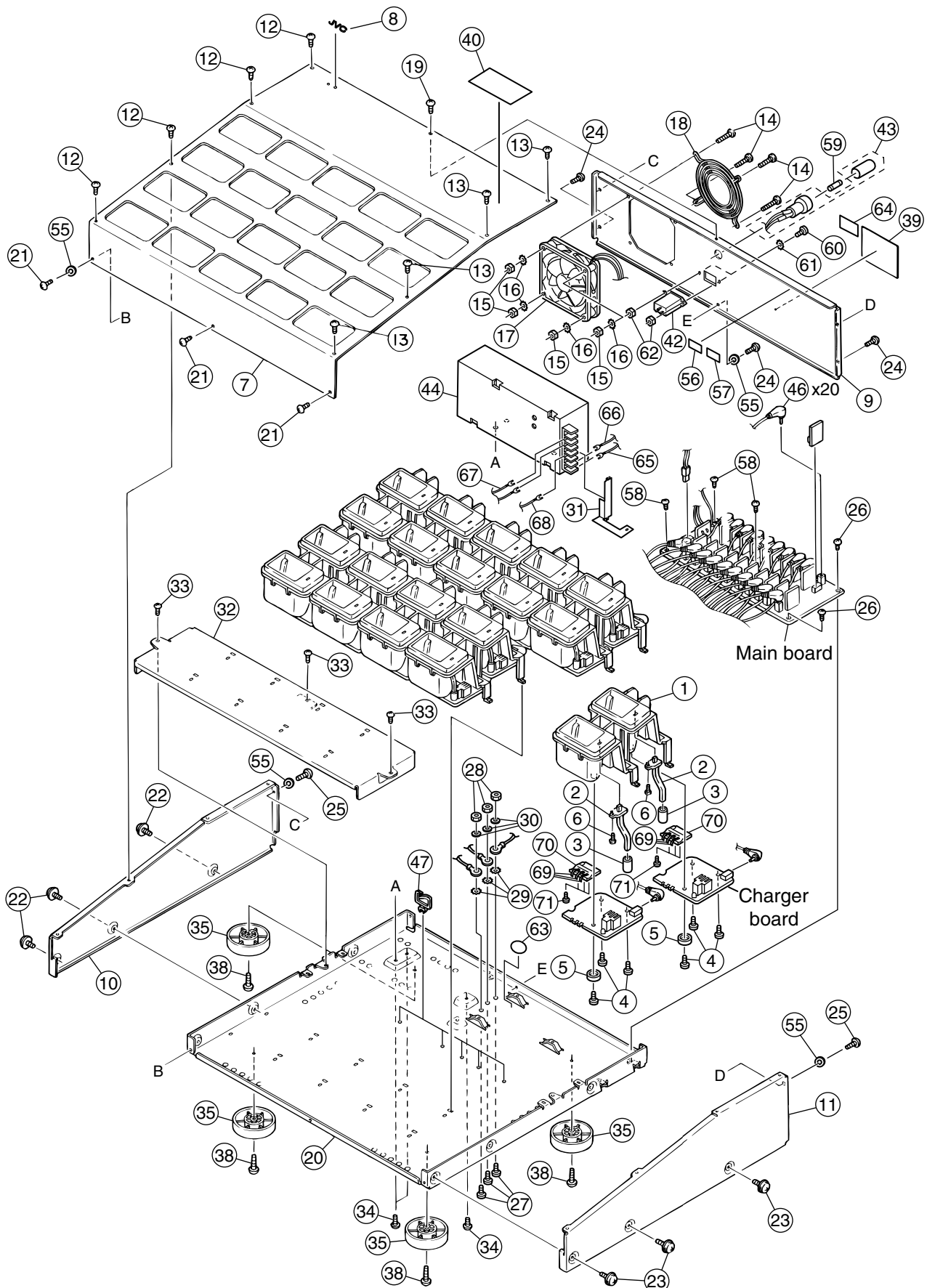
E ----- Continental Europe

- Contents -

Exploded view of general assembly and parts list (Block No.M1)	3-2
Electrical parts list (Block No.01~02)	3-5
Packing materials and accessories parts list (Block No.M3,M5)	3-7

Exploded view of general assembly and parts list

Block No. **M 1 M M**



Parts list (General assembly)

Block No. M1MM

△	Item	Parts number	Parts name	Q'ty	Description	Area
	1	VJD1217-004	CHARGE CASE	10	ABS,SPRAY	
	2	VJK3719-001	LED LENS	20	ABS(CL)	
	3	QXT337H-010	TUBE	20	LED LENS + LED	
	4	QYSBSF2608Z	T.SCREW	60	CHARGE CASE+C.PWB	
	5	VYH8170-001	STOPPER	20	CHARGE CASE+C.PWB	
	6	QYSPSGU2055N	MINI SCREW	20	CHARGE CASE+L.LENS	
	7	VJG1490-002-C	TOP COVER	1		
	8	PQ45130-7	JVC MARK	1	FOR TOP COVER	
	9	VJC2595-004	REAR PANEL	1	EGC,T0.8	
	10	VJD1218-003	SIDE PANEL(L)	1	T0.8	
	11	VJD1219-003	SIDE PANEL(R)	1	T0.8	
	12	QYSTST3006M	SCERW	4	TOP COVER+SIDE PANEL(L)	
	13	QYSTST3006M	SCERW	4	TOP COVER+SIDE PANEL(R)	
	14	QYSDSP4035M	SCREW	4	REAR PANEL+FAN	
	15	NNS4000Z	NUT	4	REAR PANEL+FAN	
	16	WBS4000N	WASHER	4	REAR PANEL+FAN	
	17	QAR0011-001	FAN MOTOR	1	FM1	
	18	LV40052-001A	FAN GUARD	1	FG1	
	19	QYSTST3006M	SCERW	1	TOP COVER+REAR PANEL	
	20	LV20364-001A	CHASSIS A'SSY	1		
	21	QYSTST3006M	SCERW	3	TOP COVER+BOT.CHASSIS	
	22	VKZ4614-001	SPECIAL SCREW	3	BOTTOM CHASSIS+S.P(L)	
	23	VKZ4614-001	SPECIAL SCREW	3	BOTTOM CHASSIS+S.P(R)	
	24	QYSBST3006M	T.SCREW	3	BOTTOM CHASSIS+R.PANEL	
	25	QYSBST3006M	T.SCREW	2	REAR PANEL+S.P(L)/(R)	
	26	QYSBST3006Z	T.SCREW	2	BOT.CHASSIS+MAIN PWB	
	27	QYSDSP4008Z	SCREW	3	+1 UL/CSA REQUIR	
	28	NNS4000Z	NUT	3	+1 UL/CSA REQUIR	
	29	WBS4000N	WASHER	3	+1 UL/CSA REQUIR	
	30	WLS4000N	WASHER	3	+1 UL/CSA REQUIR	
	31	VMA4724-002	SHIELD	1		
	32	VKL2776-002	SUB CHASSIS	1	EGC,T1	
	33	QYSBST3006Z	T.SCREW	3	BOTTOM CHASSIS+SUB.C	
	34	QYSBST4006Z	T.SCREW	3	BOTTOM CHASSIS+P.AMP	
	35	E406379-008SS	FOOT ASS'Y	4	FOR BOTTOM CHASSIS	
	38	QYSBST3008Z	T.SCREW	4	BOT.CHAS+FOOT ASSY	
	39	LV31063-001A	NAME PLATE	1	FOR REAR PANEL	
	40	VND4118-004	CAUTION LABEL	1	FOR TOP COVER	
△	42	QNC0090-001	AC INLET	1	A11	
△	43	QNG0046-001	FUSE HOLDER	1	FH1	
△	44	QAL0037-001	POW.SUPPLY UNIT	1	PS1	
	46	QAM0039-001	DC PLAG TO PLAG	20	W101	
	47	VMZ0156-001	WIRE CLIP	5	BOTM.CHASSIS+DC.WIRE	
	55	QYWAS326505N	WASHER	4		
	56	E75804-001	CAUTION LABEL	1	REPLACE CAUTION	
	57	E75803-001	J=FUSE C.LABEL	1		
	58	QYSDSP3006Z	SCREW	3	BOTM.CHASSIS+MAIN PWB	
△	59	QMF51P2-5R0-J1	FUSE	1	F1	

■ Parts list (General assembly)

Block No. M1MM

A	Item	Parts number	Parts name	Q'ty	Description	Area
	60	QYSDSP3010M	SCREW	2	FOR AC INLET	
	61	WBS3000N	WASHER	2	FOR AC INLET	
	62	NNS3000Z	NUT	2	FOR AC INLET	
	63	VND4934-002	EARTH LABEL	1		
	64	VND5079-001	CE LABEL	1		
	65	WJM0078-003A	SI C WIRE C-F	1	P.S - AC.INLET	
	66	WJM0078-004A	SI C WIRE C-F	1	P.S - FUSE	
	67	WJJ0067-001A	SI C WIRE C-C	1	P.S - MAIN PWB	
	68	QUB04K-20AVZL	SIN TWIST WIRE	1	P.S - F.GND	
	69	VKY3141-101	CHARGE SPRING	60		
	70	VYH3852-101	HOLDER	20		
	71	QYSPSGU1740Z	SCREW	60		

■ Electrical parts list (Main board)

Block No. 01

△	Item	Parts number	Parts name	Remarks	Area
	CN 1	QGA3902C1-02	POWER CONNECTOR	TOP TYPE POST	
	CN 2	VMC0229-P05	COONNECTOR	ICP PWB POST W/ FOR DC FAN PWB	
	CN100	QGB2501J1-05	CONNECTOR		
	CN101	QGB2501J1-05	CONNECTOR		
	CN102	QGB2501J1-05	CONNECTOR		
	CN103	QGB2501J1-05	CONNECTOR		
	CN104	QGB2501J1-05	CONNECTOR		
	CN105	QGB2501J1-05	CONNECTOR		
	CN106	QGB2501J1-05	CONNECTOR		
	CN107	QGB2501J1-05	CONNECTOR		
	CN108	QGB2501J1-05	CONNECTOR		
	CN109	QGB2501J1-05	CONNECTOR		
	CN110	QGB2501J1-05	CONNECTOR		
	CN111	QGB2501J1-05	CONNECTOR		
	CN112	QGB2501J1-05	CONNECTOR		
	CN113	QGB2501J1-05	CONNECTOR		
	CN114	QGB2501J1-05	CONNECTOR		
	CN115	QGB2501J1-05	CONNECTOR		
	CN116	QGB2501J1-05	CONNECTOR		
	CN117	QGB2501J1-05	CONNECTOR		
	CN118	QGB2501J1-05	CONNECTOR		
	CN119	QGB2501J1-05	CONNECTOR		
	CN120	QGB2501J1-05	CONNECTOR		
△	F 101	QMF51U1-5R0-S	FUSE		
△	F 102	QMF51U1-5R0-S	FUSE		
△	F 103	QMF51U1-5R0-S	FUSE		
△	F 104	QMF51U1-5R0-S	FUSE		
	FC101	QNG0003-001Z	FUSE CLIP		
	FC102	QNG0003-001Z	FUSE CLIP		
	FC103	QNG0003-001Z	FUSE CLIP		
	FC104	QNG0003-001Z	FUSE CLIP		
	FC201	QNG0003-001Z	FUSE CLIP		
	FC202	QNG0003-001Z	FUSE CLIP		
	FC203	QNG0003-001Z	FUSE CLIP		
	FC204	QNG0003-001Z	FUSE CLIP		
	ICP 1	ICP-N15-T	ICP		
	J 101	QNA0005-001	DC JACK		
	J 102	QNA0005-001	DC JACK		
	J 103	QNA0005-001	DC JACK		
	J 104	QNA0005-001	DC JACK		
	J 105	QNA0005-001	DC JACK		
	J 106	QNA0005-001	DC JACK		
	J 107	QNA0005-001	DC JACK		
	J 108	QNA0005-001	DC JACK		
	J 109	QNA0005-001	DC JACK		
	J 110	QNA0005-001	DC JACK		
	J 111	QNA0005-001	DC JACK		
	J 112	QNA0005-001	DC JACK		
	J 113	QNA0005-001	DC JACK		
	J 114	QNA0005-001	DC JACK		
	J 115	QNA0005-001	DC JACK		
	J 116	QNA0005-001	DC JACK		
	J 117	QNA0005-001	DC JACK		
	J 118	QNA0005-001	DC JACK		
	J 119	QNA0005-001	DC JACK		
	J 120	QNA0005-001	DC JACK		

■ Electrical parts list (Charger board)

Block No. 02

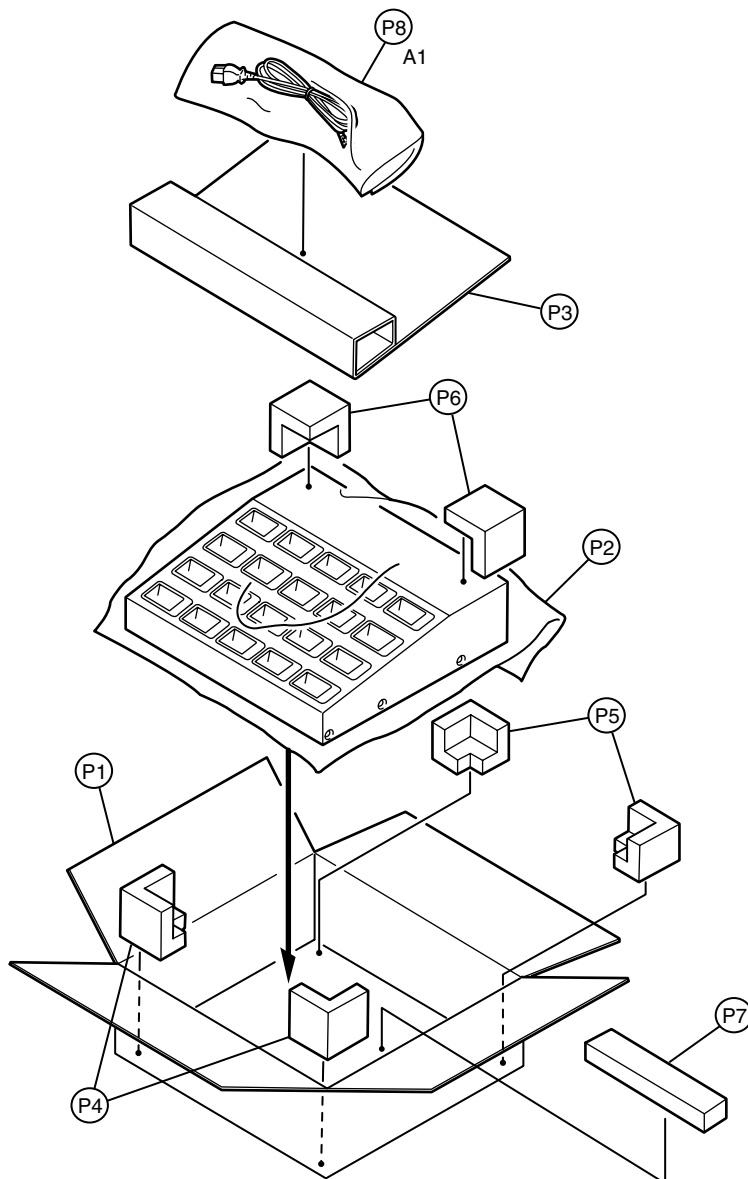
△	Item	Parts number	Parts name	Remarks	Area
	C 901	QETN1EM-107Z	E CAPACITOR	100MF 20% 25V	
	C 902	NCF21EZ-104X	C CAPACITOR		
	C 903	NCF21EZ-104X	C CAPACITOR		
	C 904	NCF21EZ-104X	C CAPACITOR		
	C 905	NCS21HJ-221X	C CAPACITOR		
	C 906	NCB21HK-103X	C CAPACITOR		
	C 907	NCB21EK-104X	C CAPACITOR		
	C 908	NCB21HK-103X	C CAPACITOR		
	C 909	NCB21EK-104X	C CAPACITOR		
	C 910	NCB21EK-104X	C CAPACITOR		
	C 912	NCF21CZ-105X	C CAPACITOR		
	D 902	M1MA151WA-X	DIODE		
	D 903	SPR-39MVWF	LED		
	D 904	HZM5.6NB2X	Z DIODE		
	D 905	EC10DS1-X	DIODE		
	HS 1	VMH4032-H25	HEAT SINK		
	IC902	LM4040DIM3-5.0X	VOLTAGE REF		
	IC903	BA10324AF-W	IC		
	IC904	BA10339F-X	IC		
	IC905	TC4011BF/N/-XE	IC		
	IC906	RN5RL50AA-X	IC		
	J 901	QMA331B-V01	DC JACK		
	Q 901	DTA114EKA-X	DIGI TRANSISTOR		
	Q 902	2SD1273(P,O)	TRANSISTOR		
	Q 903	DTC114EKA-X	TRANSISTOR		
	Q 904	DTA144EKA-X	TRANSISTOR		
	Q 905	DTC114EKA-X	TRANSISTOR		
	Q 906	DTA114EKA-X	DIGI TRANSISTOR		
	Q 907	DTC114EKA-X	TRANSISTOR		
	Q 908	DTA114EKA-X	DIGI TRANSISTOR		
	Q 909	2SB1301(ZP)-X	CHIP TRANSISTOR		
	Q 910	UN2219-X	TRANSISTOR		
	Q 911	DTC114EKA-X	TRANSISTOR		
	Q 913	DTA144EKA-X	TRANSISTOR		
	Q 914	DTC114EKA-X	TRANSISTOR		
	R 901	NRS016J-6R8X	MG RESISTOR	1W	
	R 902	NRS016J-8R2X	MG RESISTOR		
	R 903	NRSA02J-681X	MG RESISTOR		
	R 904	NRSA02J-222X	MG RESISTOR		
	R 905	NRVA02D-683X	MG RESISTOR		
	R 906	NRVA02D-683X	MG RESISTOR		
	R 907	NRVA02D-164X	MG RESISTOR		
	R 908	NRVA02D-164X	MG RESISTOR		
	R 909	NRSA02J-102X	MG RESISTOR		
	R 910	NRVA02D-183X	MG RESISTOR		
	R 911	NRVA02D-913X	MG RESISTOR		
	R 912	NRVA02D-273X	MG RESISTOR		
	R 913	NRSA02J-683X	MG RESISTOR		
	R 915	NRSA02J-103X	MG RESISTOR		
	R 916	NRSA02J-153X	MG RESISTOR		
	R 917	NRSA02J-103X	MG RESISTOR		
	R 920	NRSA02J-103X	MG RESISTOR		
	R 921	NRSA02J-333X	MG RESISTOR		
	R 922	NRSA02J-223X	MG RESISTOR		
	R 924	NRSA02J-473X	MG RESISTOR		
	R 925	NRSA02J-473X	MG RESISTOR		
	R 926	NRSA02J-103X	MG RESISTOR		
	R 927	NRSA02J-473X	MG RESISTOR		
	R 928	NRSA02J-103X	MG RESISTOR		
	R 929	NRSA02J-104X	MG RESISTOR		
	R 931	NRSA02J-154X	MG RESISTOR		
	R 932	NRSA02J-103X	MG RESISTOR		
	R 934	NRSA02J-681X	MG RESISTOR		

△	Item	Parts number	Parts name	Remarks	Area
	R 935	NRSA02J-391X	MG RESISTOR		
	R 936	NRSA02J-105X	MG RESISTOR		
	R 937	NRSA02J-123X	MG RESISTOR		
	R 938	NRSA02J-105X	MG RESISTOR		
	R 939	NRSA02J-103X	MG RESISTOR		
	R 940	NRSA02J-151X	MG RESISTOR		
	R 941	NRSA02J-103X	MG RESISTOR		
	R 943	NRSA02J-104X	MG RESISTOR		
	R 944	NRSA02J-152X	MG RESISTOR		
	R 945	NRSA02J-223X	MG RESISTOR		

Packing materials and accessories parts list

Block No. M 3 M M

Block No. M 5 M M



Parts list (Packing)

Block No. M3MM

△	Item	Parts number	Parts name	Q'ty	Description	Area
	P 1	VPC8083-002	CARTON	1		
	P 2	QPC06506515P	POLY BAG	1	FOR SET PACKING	
	P 3	VPK3377-001	CUSHION SHEET	1		
	P 4	VPH3235-001	C.CUSHION(A)	2	FRONT(BOTTOM)	
	P 5	VPH3236-001	C.CUSHION(B)	2	REAR(BOTTOM)	
	P 6	VPH3237-001	C.CUSHION(C)	2	REAR(TOP)	
	P 7	VPH4129-001	CENTER CUSHION	1	CENTER(BOTTOM)	
	P 8	VPE3026-004	POLY BAG	1	FOR POWER CORD	

Parts list (Accessories)

Block No. M5MM

△	Item	Parts number	Parts name	Q'ty	Description	Area
	A 1	QMPL160-200-K	POWER CORD	1	PC1	